

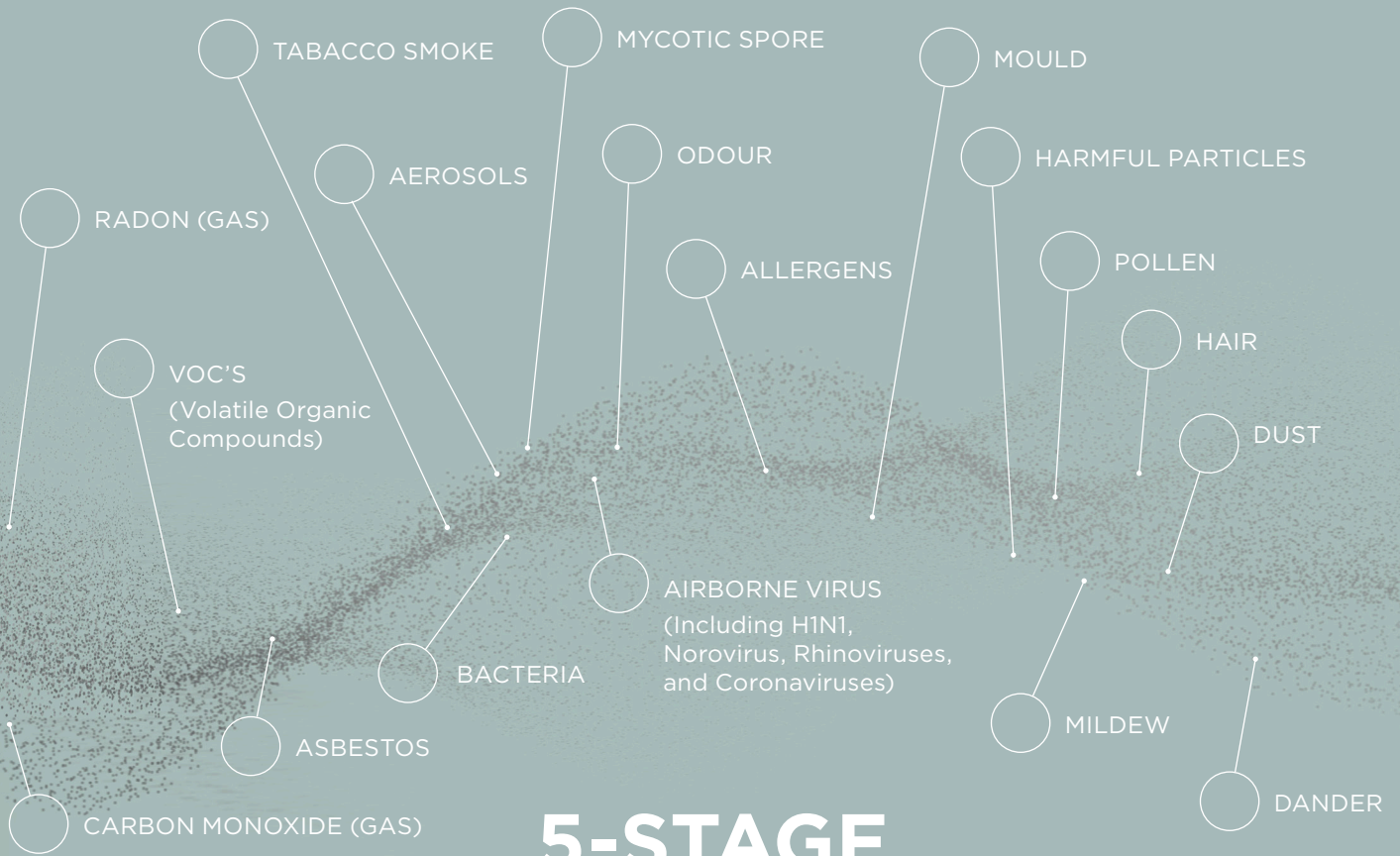
SHIVA-NRP50

COMMERCIAL GRADE AIR PURIFIER



Enhance your existing ventilation and elevate your staff's well-being and productivity with the plug and play **SHIVA-NRP50**. It's certified 4-log deactivation and removal rate of **99.997%** of all particulate matter provides superior indoor air quality in any workspace.

Certified and Independently tested 4-log deactivation of 99.997% of particulate matter from indoor air including H1N1, Rhinoviruses, and Coronaviruses, along with multiple other allergens, pollutants and odours. PM10 particles 10 µm in diameter or smaller. PM2.5 Particles 2.5 µm in diameter or smaller. Extensive independent testing and certification documentation available upon request.



5-STAGE PURE AIR PROCESS

WITH WASHABLE PRE-FILTER FOR EXTENDED PEAK PERFORMANCE

PURE AIR STAGES

- 1 **HEPA-13 FILTER** (ISO 29463)
- 2 **ACTIVATED CARBON FILTER**
- 3 **TiO² PHOTOCATALYST**
- 4 **ANION AIR IONISER** (OPTIONAL)
- 5 **OZONE SAFEUVC STERILISER**

BENEFITS TO YOUR BUSINESS

- + **REDUCED LOSSES TO SICK LEAVE**
- + **INCREASED CONCENTRATION, CALCULATION AND MEMORY FUNCTIONS**
- + **HAPPIER, HEALTHIER, MORE PRODUCTIVE WORKFORCE**
- + **LOW RUNNING COSTS**

Do you still require to upgrade, or improve your current ventilation requirements to meet the new guidelines?

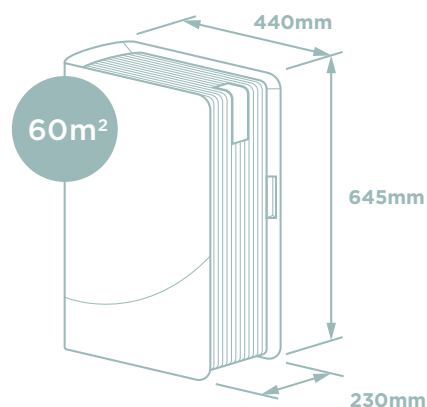
We at Shiva have the solution, utilising our **patented air sterilisation technology to improve ACH (Air Changes per Hour) without producing any harmful by-products**

Harmful by-products include but not limited to: ozone, irradiation, radicals and more.

The **SHIVA-NRP50** is a Plug & Play Air Sterilisation Solution, with integrated Air Quality Monitor which is ideal for medical settings, offices, schools, bars, restaurants and more.

SHIVA-NRP50 is independently tested, certified and approved for IPC (Infection Prevention Control) Air Sterilisation purposes by HSE operated facilities within Ireland, and NHS Trusts throughout the UK.

Coverage	Floor area 60m ² per unit add units for larger areas
Dimensions	645mm(h) × 440mm(w) × 230mm(d)
Air Flow Rate per hour CADR	620m ³ /hour, low speed/auto mode 1,080m ³ /hour (maximum speed)
Peak Performance Lifespan	HEPA-13 3,600 hours or 1 year Carbon 3,600 hours or 1 year UV-C Lamps 3,600 hours or 1 year TiO ² Photocatalyst 10,000 hours+ or 3 years



Breathe easy with three flexible purchase options

RENTAL

1

Available for both short and long term rental

Rental options starting from just **€49 per month¹**

PURCHASE

2

Available over 24 months with **Interest Free Finance²**

or

Spread your costs over 3 to 5 Years

LEASE TO BUY AND SERVICE

3

Avail of extended warranty period with pre-scheduled servicing and filter changes

Own each unit from just **€11 per week³** with no upfront costs

¹€49 per month based on a 24 month contract. Other term options available. Rental fees include delivery, site setup, annual maintenance and collection. Prices exclude VAT at 23%.

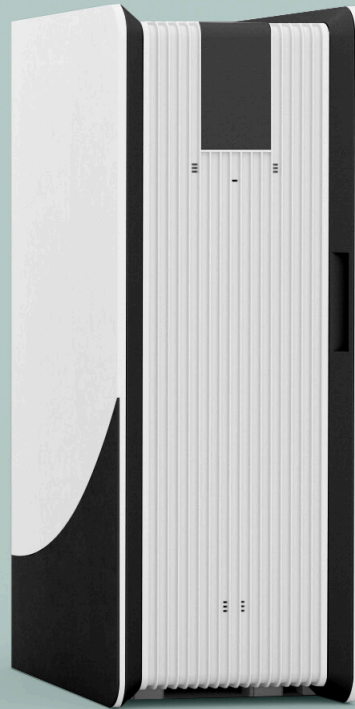
²Interest free finance based on a 24 month contract. Includes delivery to the Republic of Ireland and Northern Ireland. Prices exclude VAT at 23%.

³€11 per week based on a 60 month contract. Other term options available. Extended warranty to match the term chosen. You own the equipment after the term ends, or you can replace the equipment with new models for the same fixed monthly payment. Includes delivery, site setup, annual maintenance and servicing requirements, replacement filters and UVC lamps, plus enhanced parts and labour warranty. Prices exclude VAT at 13.5%.

TO DISCUSS OPTIONS
TO SUIT YOUR SPECIFIC
WORKPLACE SIMPLY
CALL OR EMAIL

+353 (0) 1 453 9118

info@shiva.ie



SHIVA AIR CONDITIONING

Unit 8 Ballymount Cross Business Park,
Ballymount Road Lower, Dublin 24,
D24 PYK2, Ireland.

shiva.ie