

Warranty Statement

If this product has any faults throughout its warranty period, please contact the distributor / store you purchased the product from.

If the distributor / store cannot solve the problem, please make contact with Shiva customer service directly. Please provide proof of purchase, and/or receipt from distributor/store, and the serial number of the product.

All contents of warranty claims are carefully checked, if there is any dispute or misunderstanding between a store / distributor, and the end user, the company reserves the right to request an explanation, and any required documentation from both sides.

As technology advances, we may improve some components of this specification. The color/aesthetic design may also be changed slightly from what is shown in this manual, or on product packaging.



OPERATION MANUAL

MODEL: SHIVA-NRP50

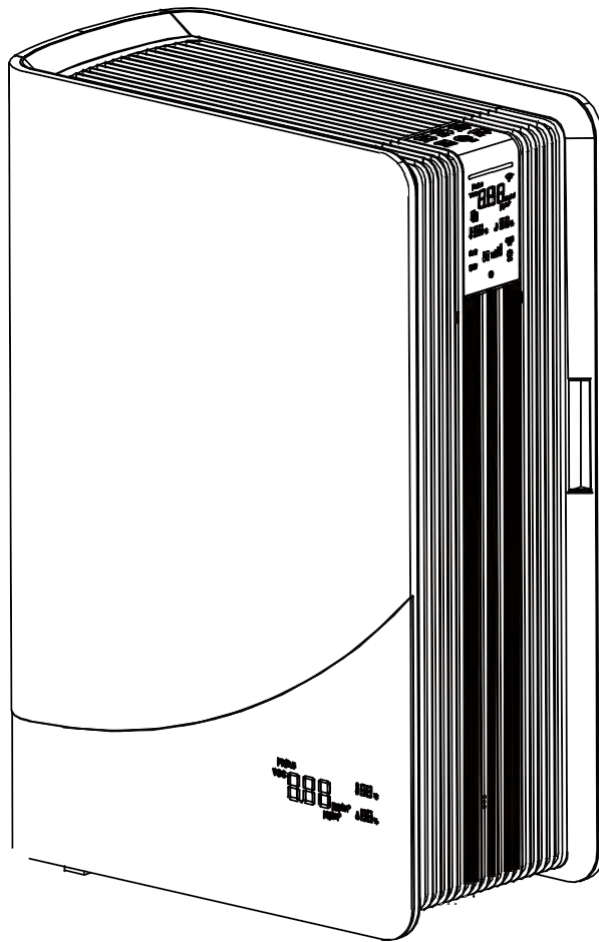
Before plugging in the product, please read this manual carefully, and strictly follow the initial setup steps as per instructions. Please keep this manual in a safe place after reading for future reference.



Designed and Manufactured for Shiva Air Conditioning Limited
Unit 8, Ballymount Cross Business Park, Ballymount Road Lower,
Dublin 24, D24 PYK2, Republic of Ireland

Web: www.shiva.ie Email: info@shiva.ie Tel: +353 14539118

MODEL: SHIVA-NRP50



1	Safety Notice	3
---	---------------	---

2	Product Introduction	5
	Control panel	6
	Main screen	6
	Vice screen	6

3	Before First Use	7
	Opening and closing method of the back cover	7
	Placement sites of Air Purifier	7
	Installation of filters	8
	Connecting Wi-Fi to Tablet or Smartphone	10
	Filters and functions	11

4	Cleaning and Maintenance	13
	Cleaning air purifier	13
	Cleaning air quality sensors	13
	Cleaning pre-filter	14
	Unused for a period / storage	14
	Time for replacement of filters	14

5	Troubleshooting	15
	Ordering parts or accessories	16
	Replacement parts	16
	Warranty and service	16

6	Additional Information	16
	Product Specification	16
	Electrical Diagram	16
	Recycling	16

7	Warranty	17
---	----------	----

8	Warranty Card	18
---	---------------	----

1 Safety Notice

In order to avoid possible damage to you, or others, or critical damage to the product, please be sure to pay attention to the following safety precautions:

If the machine's power supply cord or plug is damaged upon unboxing, you must contact the distributor / store you purchased the product from immediately, who will appoint a qualified technician to change it for you, do not attempt to plug in the product to reduce the risk of any danger.



Warning



Don't touch the power plug or the device with wet hands.

- Otherwise it may cause electric shock.



Pull The Plug!

Before cleaning appliance, please make sure to have the power off.

Otherwise air purifier may run suddenly, causing an accident, or risk an electric shock.



It is prohibited to use power below or beyond the specified value.
Only 220V power allowed.

- Do not connect to other devices such as DC inverters, etc.
- Using universal sockets or exceeding the specified value of the equipment may cause overheating and increase risk of fire.



Before starting the air purifier, please insure all packaging is removed from the internal filters.

- Failure to remove the packaging on filters prevents airflow through the machine, increasing risk of critical failure, electric shock, overheating, or fire.
- Also remove packaging from power cord.



Damage to the power line or plug.

- Should damage occur to the cable or plug during the lifetime use of the machine, please have a qualified technician replace the cord and/or plug.
- Don't bind, tape, or use connectors on the wires. Using a broken wire increases risk of electric shock, short circuit, and fire hazard. Never use the device if you feel the cable is faulty or the plug is loose.



Please clean power plug regularly.

- Accumulation of dust on the power plug and moisture can damage the insulation of the plug part, resulting in increased risk of fire
- Pull out the power plug, then wipe with dry cloth (do not use a wet cloth!).
- Remember to pull the power plug if device will not be in use for a long time.



Prohibit unauthorised repair, taking apart, or modifying the air purifier.

- It may cause electric shock, failure, or a fire accident. Use a qualified technician. Warranty is voided if item is compromised by unauthorised personnel



Do not poke a pen, clip, or other metals into the outlet or inlets. Do not block the outlet or inlets.

- It may affect the internal parts and cause electric shock or damage.

⚡ Attention

This appliance contains a UV-C emitter.
Do not stare at the UV-C light source.
Unintended use of the appliance or damage to the housing may result in the escape of dangerous UV-C radiation.
UV-C radiation may, even in little doses, cause harm to the eyes and skin.
Appliances that are obviously damaged must not be operated.
The replacement of the UV-C emitter by the end user is not allowed.
Read the maintenance instructions before opening the appliance.
The appliance must be disconnected from the supply before replacing the UV-C emitter. A suitably qualified tradesperson should do this task.
Precautions are to be taken when replacing UV-C emitters and starters.

⚡ Attention

If any situation below occurs, please disconnect the power to the machine:

- A switch does not work.
- A circuit breaker or fuse burned.
- The power cord or plug abnormally hot.
- Burning odour, abnormal sound, or vibration.
- Any other anomalies or failure.



Attention



Prohibit use of any solvent such as benzene or thinner to clean the air purifier, avoid touching after insecticide spraying.

- Otherwise air purifier can rupture and cause damage, short circuit, cause electric shock, or fire.



Do not operate this air purifier intentionally to remove grease/fat particles from the air.
The air purifier should not be used for ventilation or extraction equipment.

- Such as inside a kitchen, this will drastically reduce the service life of air purifier and all filters.



Do not use the air purifier indoors with fumigation type pesticides. (Bug Killer, etc.)

Chemical residue could accumulate inside the machine, and then released from the outlet to harm health.

- After using pesticides or aerosols, please thoroughly ventilate the room, before using the air purifier.



Do not allow the air purifier to get wet.

- It may cause electric shock and increase risk of a fire accident due to short circuit.



To pull out the power plug, hold the plug, instead of pulling the cable.

- Otherwise it may cause short circuit, break internal wire, increasing the risk of electric shock or a fire accident.



Do Not Use in Wet Areas

Do not operate in high humid temperature, damp, or wet body sites using this air purifier, such as the bathroom.

Air purifier may build up condensation prone to leakage, increasing the risk of electric shock or a fire accident.



Keep Away From Fire!

Do not operate around volatile substances or combustible materials, such as tobacco or candles close to the machine.

Keep away from any type of fire! Otherwise it may cause a fire accident. Intentionally blowing tobacco smoke at the machine will give sensors false readings of the room's overall environment.



Use Shiva Products Only

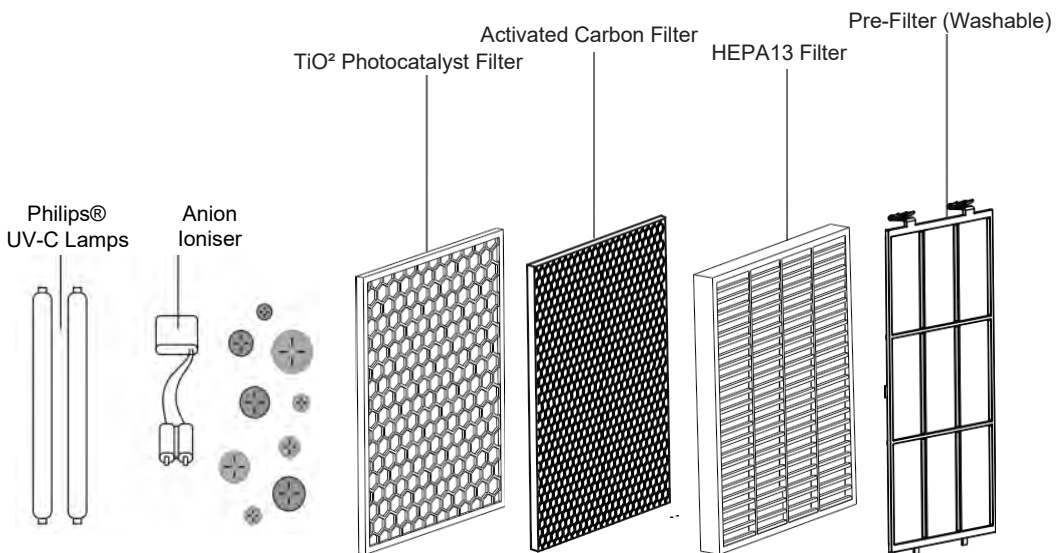
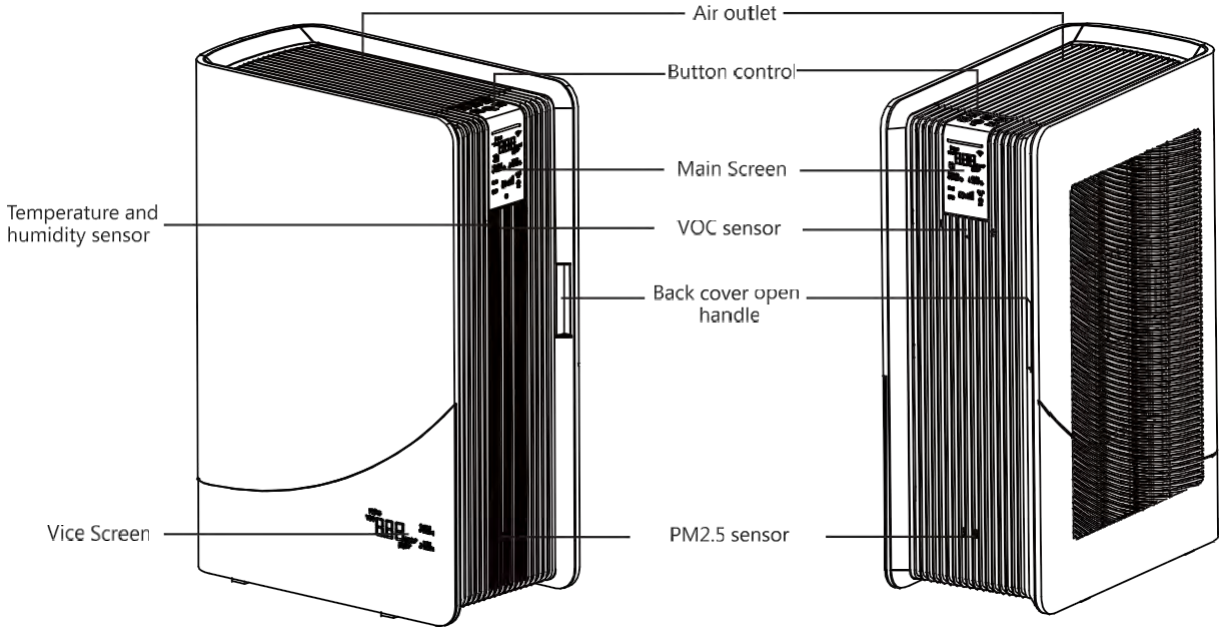
Do not use aftermarket/counterfeit products with this machine.

Ensure you source spare parts from genuine registered Shiva Distributors.

Using counterfeited products will immediately void warranty.

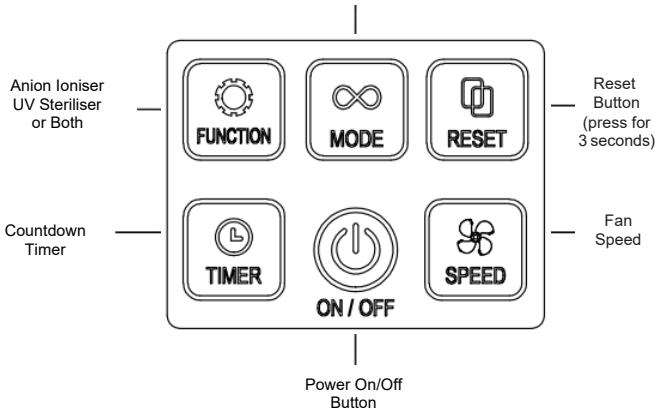
- Counterfeited machines / replacement products may appear similar in appearance; however they will not have had the testing and certification this product has had, and as such, may cause a danger.

2 Product Introduction



Control Panel

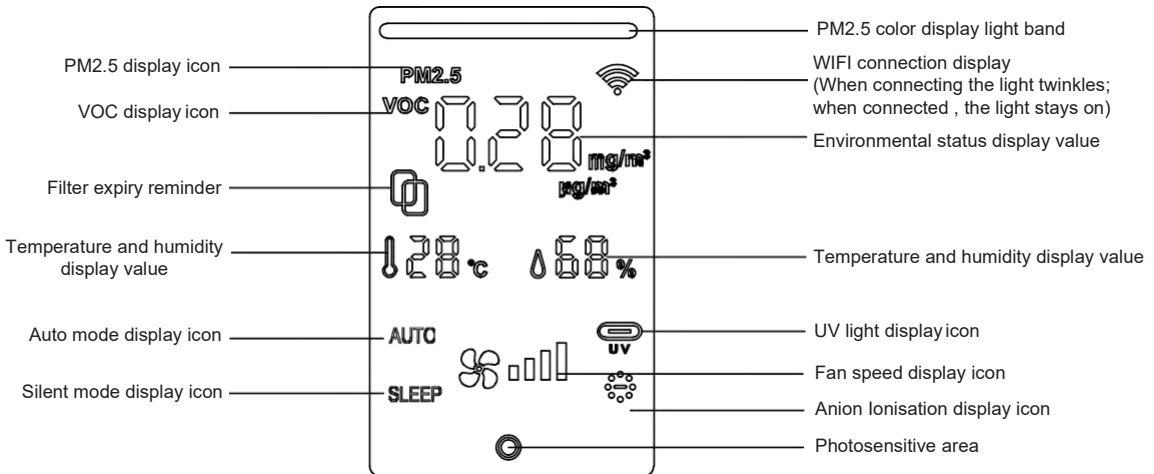
Mode: Auto / Manual
(For WiFi Setup: press and hold Mode Button within 5 secs of turning on device)



Air Quality Indicator

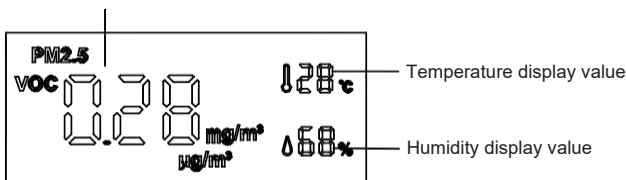
	Blue	(PM2.5 = 0 ~ 50)	Perfect
	Green	(PM2.5 = 50 ~ 100)	Good
	Purple	(PM2.5 = 100 ~ 150)	Normal
	Red	(PM2.5 = 150 ~)	Bad

Main Screen



Vice Screen

PM2.5 / VOC display icon



Filter Clean/Change Reminder:

According to the actual usage of the filter, the machine automatically calculates the expiration time of the filter. After the filter usage time has expired, the filter indicator will flicker, reminding you to clean/change the filter

⚡ Attention

Please turn off the power and pull out the power plug before replacing any filter.

3 Before First Use



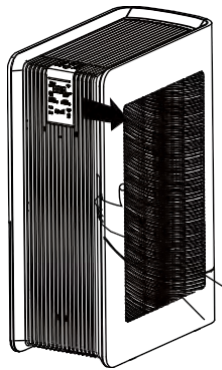
Attention

Open the package, take out the foam lining, remove all the built-in accessories and materials, take Air Purifier out of the box, remove the plastic bag, open the filter cover, and remove the plastic from the filters. Re-insert the filters in correct order.

Opening and Closing Method of the Back Cover:

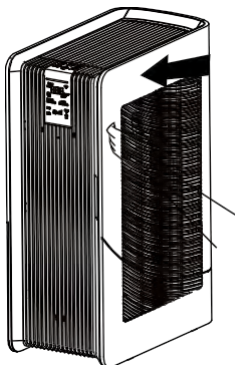
1 Opening Method of the Filter Cover

Gently hold the machine, hold the back cover with one hand, and gently pull the cover open backwards horizontally. (as indicated by the arrow direction below)



2 Closing Method of the Filter Cover

Gently hold the machine, confirm the filter order; and gently close the back cover horizontally (as indicated by the arrow)



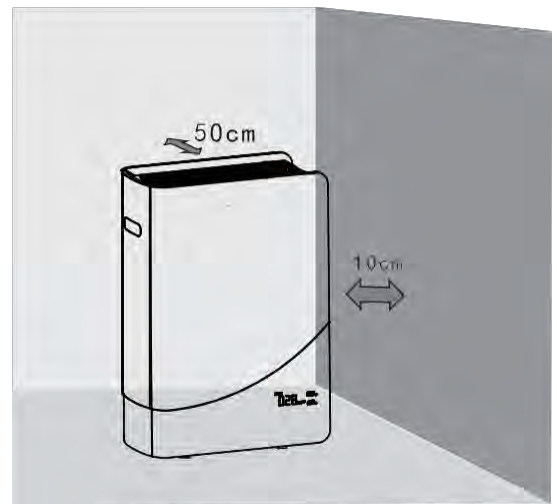
Placement Sites of Air Purifier

In order to maximise your room air circulation, ensure the gap between the air inlet (filter panel side) and the wall is at least 50cm, and the air sensors are at least 10cm away from the wall (as shown below).

Please keep 1 meter away from television, radio, etc.

Please do not put the power plug together with any television, radio, and other electrical power plug inserted into the same socket, (otherwise it may cause screen jitter and electrical noise generation.)

- The long-term placement in the same position may dirty the sites walls and floors. Ensure to regularly clean and vacuum this area.
- To ensure the machine has adequate circulation, ventilation, and maximum efficiency, don't interfere with the air outlet or air inlet by blocking them.



Installation of Filters

Important!

Please remove all the plastic packaging from all of the filters in the machine before using the air purifier, according to the below instructions.

⚡ Attention

- Please do not touch the UV-C Lamps even when powered off.
- Please do not operate the air purifier without the filters.
- Please remove the package of each filter before using.

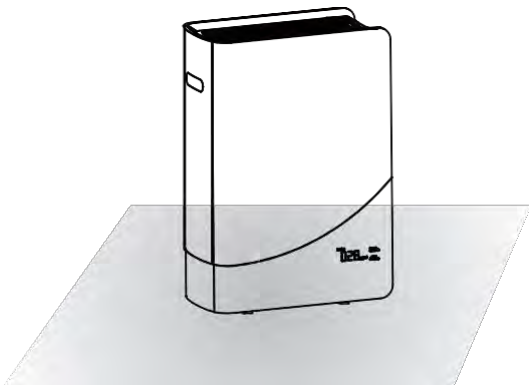
💬 Tips

You can place the purifier on a table to enhance the access when removing or installing the filters.

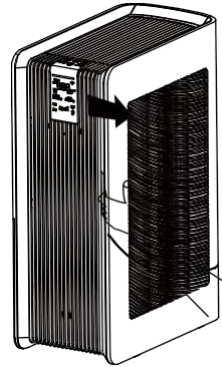
Steps

Before using this air purifier, please install the filters correctly as per instructions.

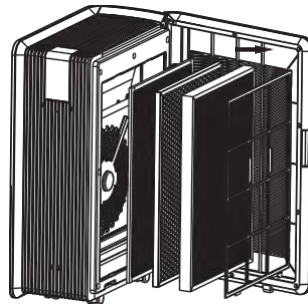
Please remove all packaging and put the air purifier on dry, stable, horizontal ground.



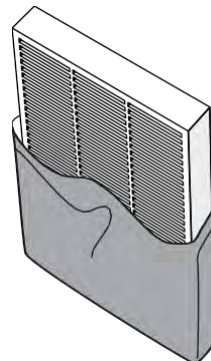
- 1 Using one hand, hold the top of the machine; and gently pull the filter cover sideways. (as shown in arrow direction)



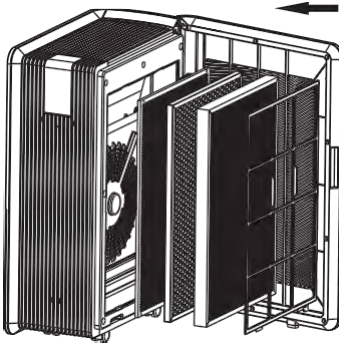
- 2 Remove all the filters from inside the machine.



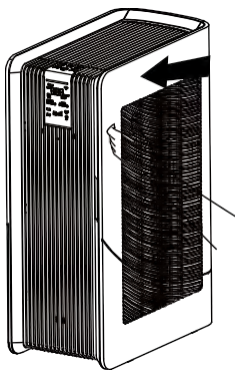
- 3 Remove all packaging from each filter.



- 4 Install all the filters in correct order;
- 1 TiO² Photocatalyst Filter
 - 2 Activated Carbon Filter
 - 3 HEPA13 Filter
 - 4 Pre-Filter



- 5 Carefully close the Filter Panel. Align and insert it into the fixed grooves, then gently push it closed.



Tips

Look for the fabric pull tag to determine which is the top front facing side of each filter.

Connecting Power

Place the Air Purifier in set position using instructions above. Plug in the machine to power socket as per instructions above.

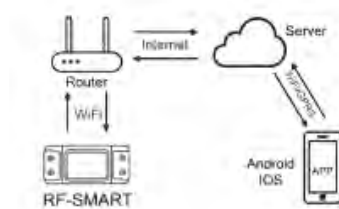
⚡ Attention

If the power cord is accidentally damaged during daily use, it must be replaced by a professional from the Distributors' local maintenance department, or by a qualified competent tradesperson.

Connecting Wi-Fi to Tablet or Smartphone

Checklist:

1. Have a Smartphone or Tablet with access to the Google Play or Apple App Store
2. Your Smartphone or Tablet to use the device is connected to the buildings 2.4G WiFi Internet.
3. (it is recommended the Customer / Building Manager purchase a dedicated device to leave on site for control of multiple units)
4. You have the correct WiFi Password to hand.
5. Your Router is MAC-open.



Connection Guide:

Download the “Smart Life” App
(May be called “Intelligent Life” in some regions)



1. Register an account.
2. If you already have an account, Log In.
3. Ensure Power is connected to the Air Purifier.
4. Enter the App, Tap “+” on the upper right of the page to enter the connection page.
5. There are 2 Connection Methods; ‘Manual’, and ‘Auto Scan’, Select ‘Manual’.
6. Select ‘Small Home Appliances’, in the Surroundings section select ‘Air Purifier (Wi-Fi)’
7. Select the network you wish to use and enter the network password. (Note: WiFi Network must be 2.4GHz)
8. After entering password select ‘Next’ to enter the pairing connection page.
9. Power on the unit using the On/Off button, then quickly press and hold the ‘MODE’ button for approximately 5 seconds, until the WiFi Light starts blinking fast.
10. Ensure the WiFi Light is still rapidly flashing, and select ‘Confirm the indicator is blinking rapidly’ and ‘Next’
11. Air Purifier will display as found on the app. Select this device.
12. Name your device accordingly (example: Open Plan 1, Canteen, Accounts Office, Johns Office, etc)
13. Device is now connected.

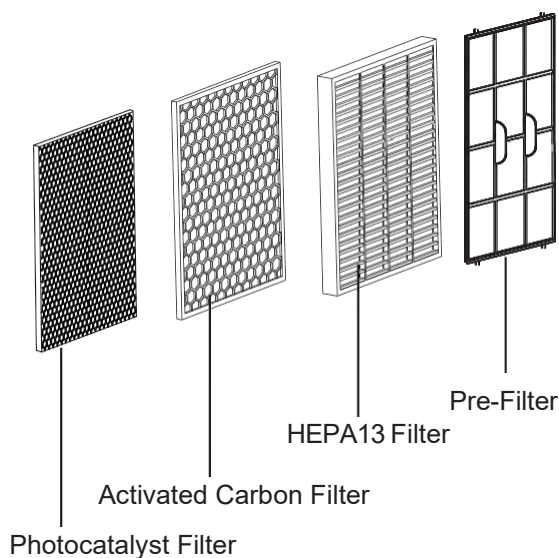
Tips

Set up a 7 day on/off schedule timer to save you having to manually turn the machine(s) on and off each day.

Set multiple ‘off’ timers to prevent machine(s) operating unintentionally through the night.

Filters and Functions

Filter Compositions



Discover the 6-point purification process to effectively purify the air:

One: Pre-Filter (Washable)

Two: Efficient HEPA13 Filter

Three: Activated Carbon Filter

Four: TiO² Photocatalyst Filter

Five: Anion Ionisation

Six: UV-C Light (Sterilisation)

One: Pre-filter

Micron mesh filter, effectively blocks 2.5mm fibrous particulate matter. Blocking rate > 99.9%. It can be cleaned easily using a vacuum, it can be re-used hundreds of times once maintained properly and not damaged / ripped. Preventing larger particles such as pet fur, dander, and coarse dust, etc. it can increase the life of the following filters. Ensure to regularly clean this filter.

Two: HEPA13 Filter

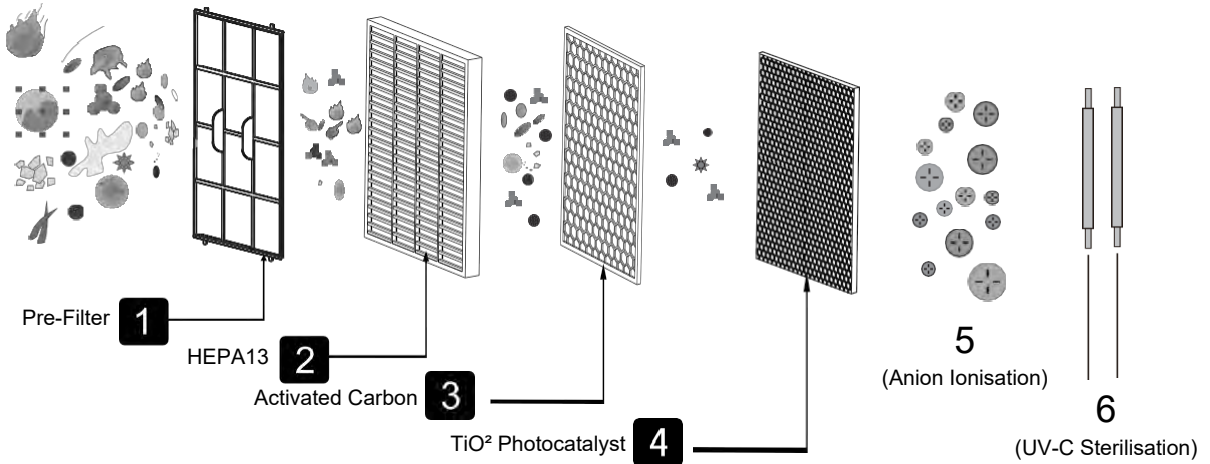
HEPA13 filter has the ability to remove 99.7% of particles as small as 0.3 microns. Allergens and bacteria in air flow, such as pollen, smog, and viruses, are caught in this filter. Recommended to change this filter each year.

Three: Activated Carbon Filter

Removes volatile organic compounds, such as secondhand smoke, mold spores, and other polluting gases in the environment.

Four: TiO² Photocatalyst Filter

This filter is coated with titanium, it operates mainly as a photo-catalytic function. When used in conjunction with UV light, it has a strong catalytic degradation rate, 1,550 times stronger than that of the filter alone. Effective degradation of formaldehyde, toluene, xylene, ammonia, TVOC and other pollutants in the air. Also assists greatly in removing unpleasant odours from the environment.



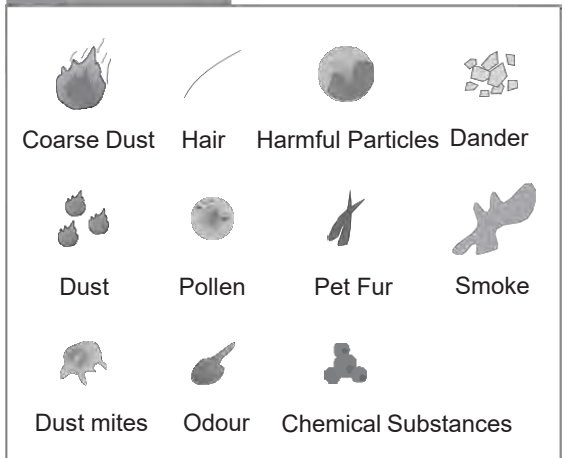
Five: Anion Ionisation

Electrically charges the air to produce large amounts of negative ions (Anion), attraction and physical absorption of positively charged particles can capture up to 98% of bacteria and viruses in the air. This process also assists in eliminating unpleasant odours in the environment.

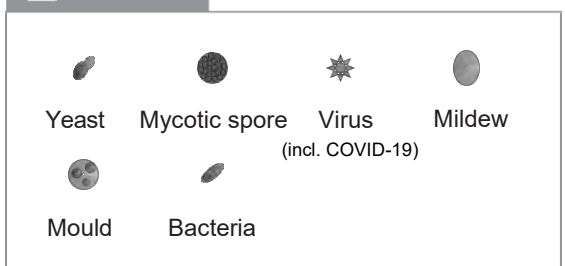
Six: UV-C Sterilisation

Effectively kill a variety of common bacteria and viruses (incl. COVID-19) at DNA level using 254nm UV-C Wavelengths, also inhibit the production of bacteria and viruses trapped on the other filters in the machine.

+ Allergens



+ Bacteria



Tips

Cold Cathode UV lamp trigger voltage is only 500v; it will not produce Ozone, so it can be used safely in a populated area.

4 Cleaning & Maintenance

Be sure to pull out plug before cleaning.

Do not put the product into water or any other liquid. Do not use corrosive or flammable gas (e.g. bleach or alcohol) to clean any part of the product.

Only the pre-filter can be cleaned with water (if heavily soiled), all other filters cannot be cleaned, and should never ever be allowed to get wet.



Cleaning the Air Purifier

Clean the casing and filter panel regularly to prevent dust accumulation on the machine.

1. Use a warm damp cloth to wipe the dust from casing.
2. Use soft dry cloth to clean inlet and outlet areas.
3. Gently and carefully vacuum the Filter Cover area

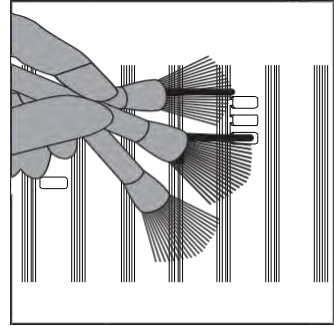
Cleaning the Air Quality Sensor

Clean the air quality sensor every two months to make sure purifier runs at the best performance. If the purifier is used in a dusty environment, please clean it more often to compensate.

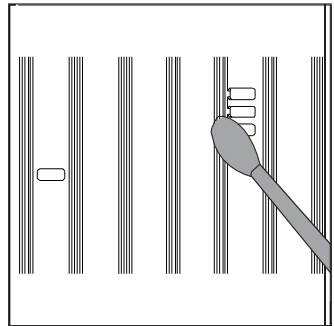
Attention

When the indoor humidity is very high, the air quality indicator may be forming condensate. So even if the air quality is good, air quality indicator may indicate poor air quality, in this case, you have to clean the air quality indicator or use any manual speed setting.

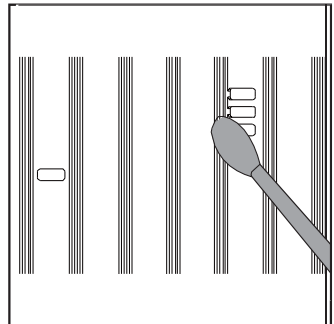
1. Use a soft brush, to clean the inlet/outlet of air quality sensor.



2. Clean the air quality sensor, inlet and outlet with damp cotton swabs.



3. Dry it off carefully with fresh dry cotton swabs.



Cleaning the Pre-Filter

Please Read Information Carefully

In order to achieve the best performance, and ensure longevity of other filters, vacuum clean and maintain the Pre-Filter every two months from the beginning of use.

Two months is based on the average 8 hours a day, 5 days a week operating time (320hrs). Adjust cleaning times accordingly if you are using the machine for longer than this period.

External Maintenance: use a warm damp cloth and wipe the surface to prevent the accumulation of dust on the machine.

Turn off the air purifier and pull out the plug before cleaning and maintenance.

Only the pre-filter can be cleaned, other filters cannot. You may damage the filters if attempted!

Attention

Please use the lowest power setting on your vacuum cleaner, preventing the filter from damage.

Tips

Before putting each replacement filter into the machine, remove the plastic packaging, and ensure that the labels on the filters are on top side facing outwards.

Attention

Please turn off, or unplug the machine, before you change the filter.

Unused for a Period / Storage

Pull out the power plug. (unit consumes power when it is on standby.)

Thoroughly dry the inside. (otherwise, it may lead to the equipment trouble.)

Store the machine upright in a dry ventilated place. (do not lay flat or place upside down, as it may lead to equipment trouble.)

Replace Filter Reference Times

When the machines internal work timer reaches 3600 hours, the reminder indicator will flash, the working time calculation is as follows:

Fan Speed 1: Accumulative 0.25s per second

Fan Speed 2: Accumulative 0.5s per second

Fan Speed 3: Accumulative 1s per second

Fan Speed 4: Accumulative 2s per second

Tips

1. Clean the Pre-Filter regularly to maximise the efficiency and lifespan of other filters.
2. HEPA13 Filter should be changed on average once every 12 months.
3. Activated Carbon Filter should be changed once every 6-12 months depending on environment.
4. TiO² Photocatalyst Filter should be changed every 3 years.
5. After 1000hrs of usage of UV Lamps, sterilisation efficiency will reduce to around 70%. But it does not largely affect the efficiency enough to resolve the volatile organic compounds, such as formaldehyde, TVOC, etc. in the air. For maximum efficiency change the UV-C lamps every 6 months for new lamps.

5 Troubleshooting

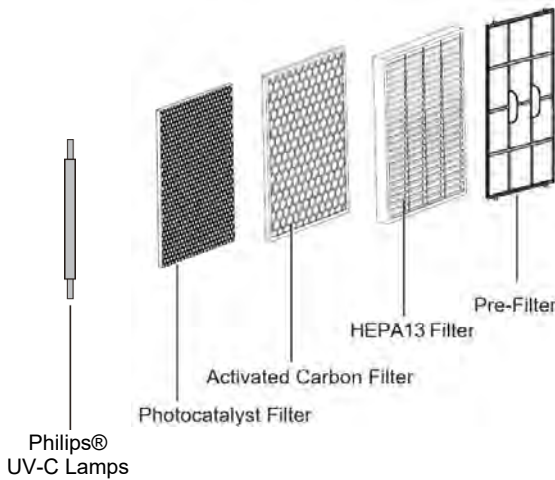
This section lists the possible problems when using this product. If you can't solve the problems based on the below information, please contact your distributors' customer care center.

Condition	Possible reasons	Possible solutions
Machine will not turn on	The filter panel may not be installed / closed correctly.	Open/Remove the filter panel, then close/install the panel again.
	Power plug is not inserted into a live power source.	Pull out the power plug, then insert into a new power source.
	The power plug or wire is damaged.	Contact with our customer center or dealers.
The fan doesn't work	The machine is not turned on.	Insert the plug into a power source, and turn on the machine again.
	The dynamo is damaged.	Contact with our customer center or dealers.
	The machine is put on the uneven place.	Remove the machine to a flat surface.
	Loose or foreign particles inside the machine.	Contact with our customer center or dealers.
	The motor is loose.	Contact with our customer center or dealers.
	Plastic packaging of each filter is not removed.	Before using, please remove plastic packaging of each filter.
Performance is poor or not best purification ability	Washable mesh Pre-Filter is dirty.	Please clean the washable mesh Pre-Filter.
	Filter is not replaced (after 1 year of use)	Replace with set of new filters.
	Machine inlet or outlet was blocked.	Contact with our customer center or dealers.
	Plastic packaging of each filter is not removed.	Before using, please remove plastic packaging of each filter.
	The gap around the machine is not proper.	Ensure the machine at least 50 cm clearance on both sides of the air inlet and the outlet at the back of the machine at least 10 cm.
	Machine filter missing or sequence error.	Ensure that all the filters put the correct sequence in machine.
	Exceed the expected cover area. (60-70m ²)	Ensure the machine is being asked to work in a suitable sized area. Additionally machines can be added to serve larger areas.

Ordering Parts or Accessories

If you need replacement parts, or need to purchase additional parts, please contact our customer service center or dealer. Do not use aftermarket/counterfeit replacement products with this machine.

Replacement Parts



Warranty and Service

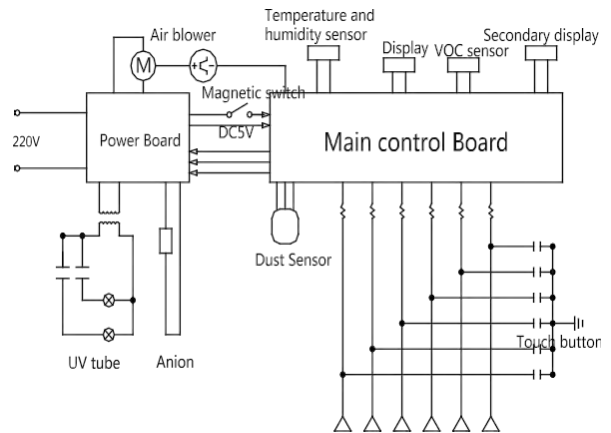
If you need additional information, or have any questions about this product. You can also contact our company's Customer service center or distributor. For product warranty details, please refer to the warranty card included with the manual.

6 Additional information

Product Specification

Model: SHIVA-NRP50	Rated Voltage: 220v
Rated Power: 88W	Rated Frequency: 50hz
CADR (Particles): 620m ³ /h	CADR (Formaldehyde): 250m ³ /hr
CCM (Particles): P4 (Formaldehyde): F4	Max Noise Level: >64dB Purification Efficiency: High
Product Standard: GB/T 18801-2015 GB4706.45-2008 GB4706.1-2005	
UVC Lamp Replacement Model: Philips TUV 16W (Cold Cathode UVC Lamp - Does Not Produce Ozone) G16 T5	
Unplug device from mains before opening filter panel. Please read instructions and operation manual carefully before attempting to use this product. Handle with Care: UV-C Lamps contain Mercury	

Electrical Diagram:



Disposal & Recycling



When disposing of the product, filters, or UV Tubes, please don't put together with the general waste. Please check the local regulations on disposal of electronic and electrical products.

Disposing of the product responsibly helps to avoid the potential negative effects on the environment and human health.

7 Warranty

The machine warranty period is one year (from the date of invoice)

1. During the warranty period: All items are covered in the unlikely event of a critical failure. Filters and UV Tubes are not covered under warranty throughout the one-year warranty period, these are serviceable items which must be maintained and replaced by the user over the course of the machines lifespan.
2. Please keep original receipt/invoice with the warranty certificate, if the receipt/invoice or warranty certificate is altered, the warranty is invalid. Each machine has a specific serial number which needs to match on the receipt and warranty certificate in the event of a claim.
3. Serviceable items (Filters, UV Tubes) can be ordered for collection or delivery via your local Distributor, or Shiva directly. If counterfeit / aftermarket products are used with the machine the warranty is void, and all indemnity for any damage or injuries caused from using aftermarket products lies with the user themselves.
4. Warranty does not extend to repair of damage caused to any other electronic device, property, or personal injury, caused by this machine. Please read this manual carefully to insure proper use of the machine, and thus minimise risk of any malfunction/injury.
5. By choosing to operate this device, you agree to our warranty terms.

Warranty does not cover the below scenarios:

1. Without invoice/receipt or original warranty card displaying serial number.
2. The malfunction is caused from operating the machine in a way which does not follow the specifications and instructions explained in this manual.
3. Any of the following circumstances:
 Consumers own improper use, placement, improper maintenance, etc
 Evidence of product having being taken apart or disassembled.
 User or 3rd party individual attempted repair damage caused by themselves. Damage caused by improper transport or lifting practices.
 Damage caused as a result of the product falling over, or from a height.
 Damage caused by improper storage/handling/delivery (please deal with Distributor).
 Damage caused by Electrical Surges / Power Outages
 Damage caused by force majeure.

Packing Details

Name	Product: SHIVA-NRP50	Instructions	Warranty Certificate	Remote Control	Battery
Quantity	1	1	1	1	1

8 Warranty Card

Product name/ Model No.		Serial number	
----------------------------	--	---------------	--

Purchase Date	Shop name	Phone number	Dealer stamp

Name	
Address	
Mobile Phone	
Zip Code	

Maintenance record
